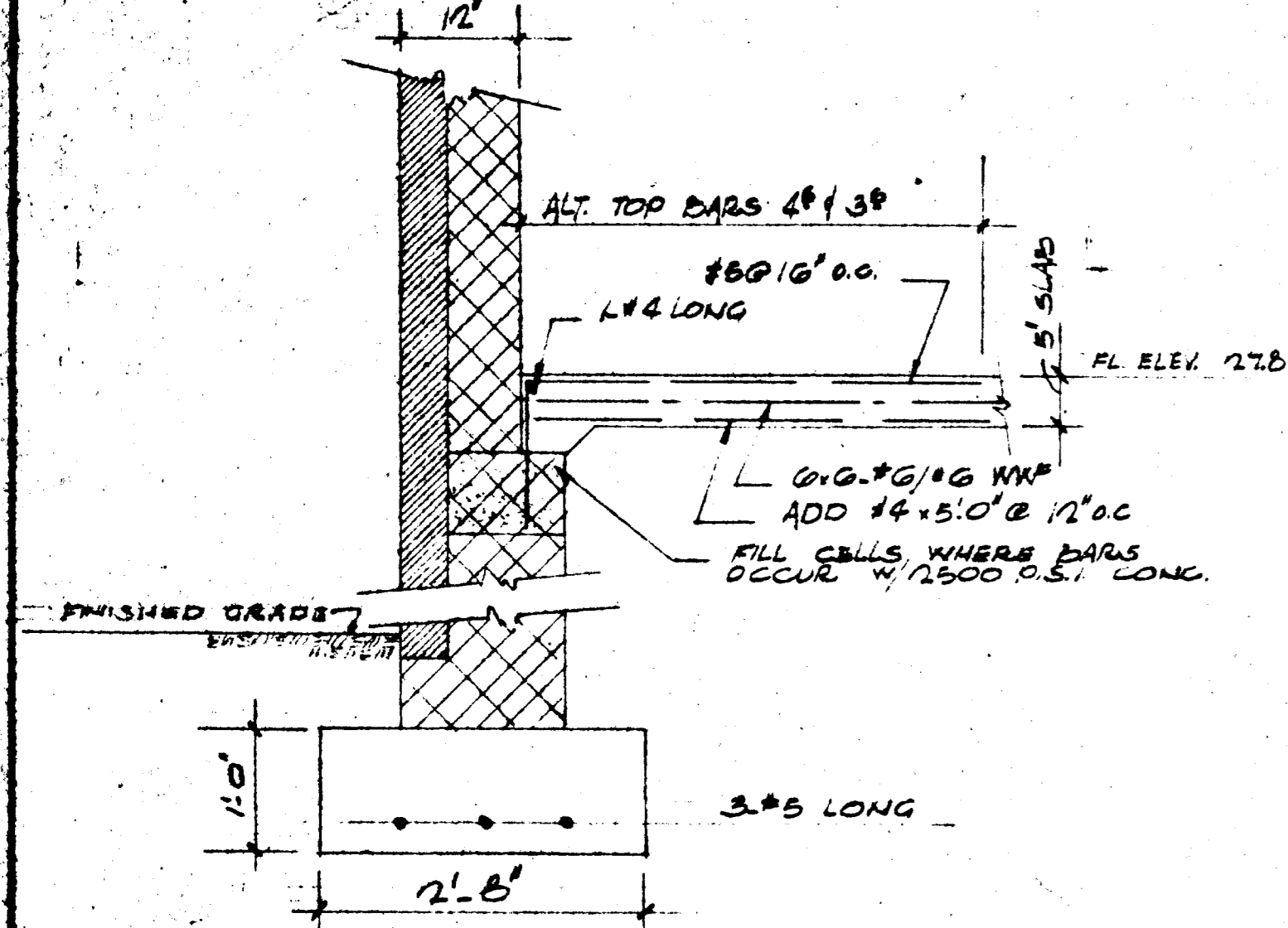
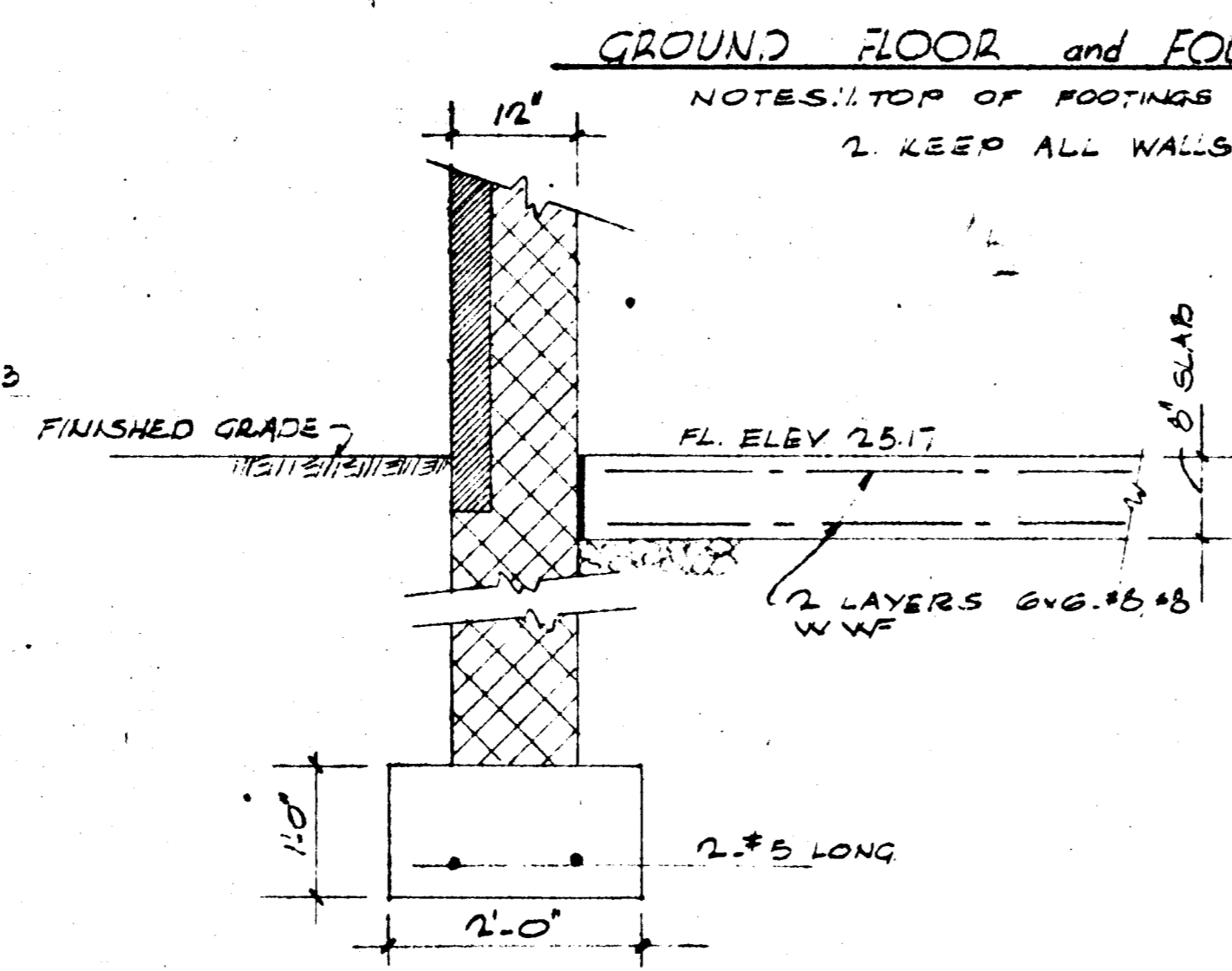


GROUND FLOOR and FOUNDATION PLAN scale: 1/8"=1'-0"

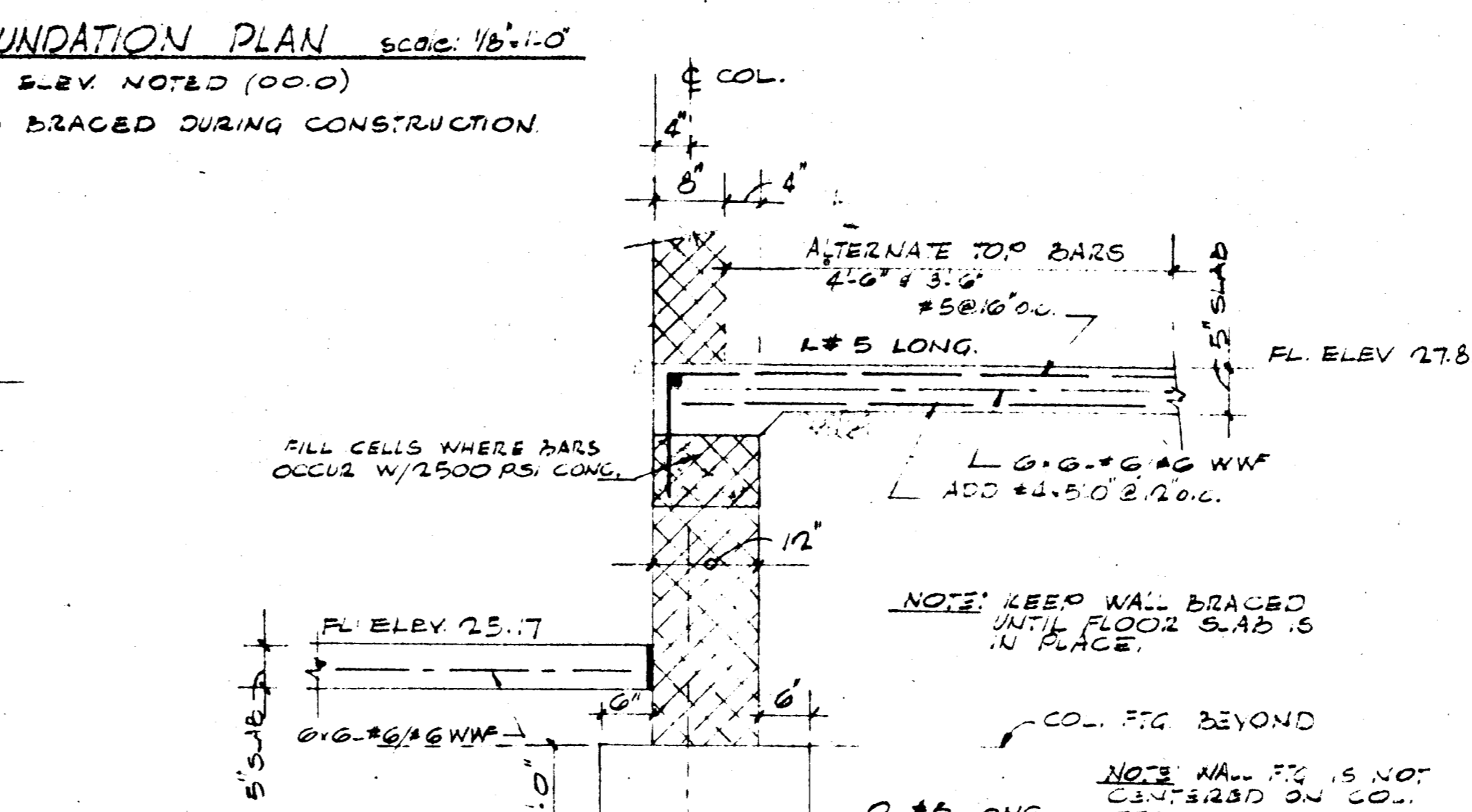
- NOTES: 1. TOP OF FOOTINGS ELEV. NOTED (00.0)
 2. KEEP ALL WALLS BRACED DURING CONSTRUCTION



SECTION S2-1 scale: 3/4"=1'-0"



SECTION S2-2 scale: 3/4"=1'-0"



SECTION S2-3 scale: 3/4"=1'-0"

REVISIONS		PROPOSED		DATE
		WAREHOUSE NO. 2		
		HYATTSVILLE INDUSTRIAL		
		EDMONSTON-PRINCE GEORGES COUNTY, MARYLAND		
		MARTIN INDUSTRIAL	MACHIS AND SIMKO	JOB NO.
		PARK VENTURE	Consulting Engineers	6000
		2045 University Blvd E	817 Silver Spring Ave.	SHEET
		Arling, Maryland	Silver Spring Md.	2
				DATE
				100